

5MP ColorHunter HD Fixed Turret Analog Camera

HAC-T325-F28M-W



Introduction

HAC-T325-AF28M-W is a 5MP ColorHunter HD fixed turret analog camera with a high-performance 1/2.7-inch CMOS sensor. It supports TVI/AHD/CVI/CVBS, which effectively enhances product adaptability and diversity of networking solutions. With SYV-75-3 or other coaxial cable types, the camera can achieve low-cost, long-distance, and anti-interference mega-pixel HD video transmission without time delay. The camera supports audio input, synchronous transmission of audio and video, and provides 24/7 color images.

Features

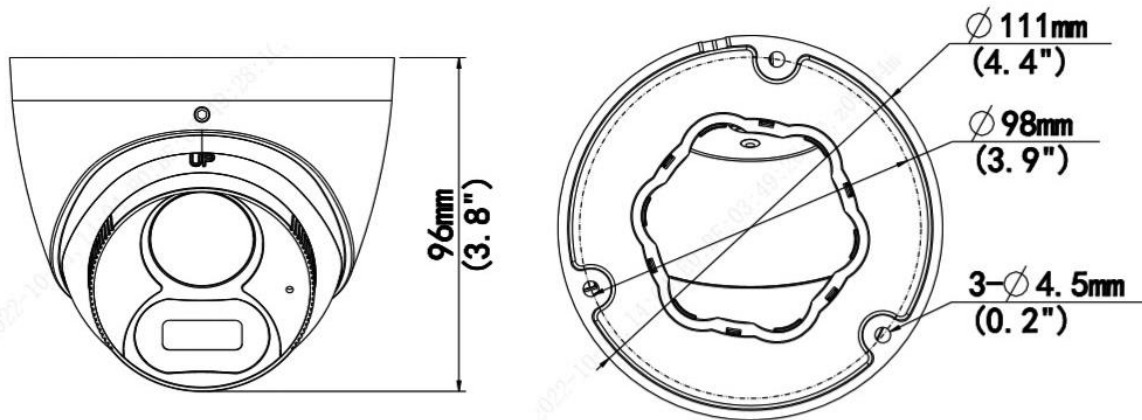
- 5MP high quality imaging
- TVI/AHD/CVI/CVBS
- Supports white light illumination, 24/7 color images
- Supports 180° horizontal flip, 180° vertical flip
- OSD configuration menu, easy to operate
- IP67 waterproof and dustproof design, high reliability
- OSD configuration menu in 11 languages
- Built-in microphone for high quality audio transmission via coaxial cables
- Metal front face and housing
- 3-Axis

Specifications

| Model | HAC-T325-AF28M-W |
|------------------------------|--|
| Sensor | |
| Pixel | 5MP |
| Size | 1/2.7" |
| Minimum illumination | 0.005lux (F1.4, AGC ON) 0 lux (white light on) |
| Lens | |
| Lens | 2.8mm |
| Lens mount | M12 |
| Angle of view | H: 111.5° V: 58.9° D: 134.8° |
| Illuminator | |
| Illuminator | Two white-light illuminators |
| Illumination distance | 40m |
| Lifetime | ≥60,000 hours |
| Video | |
| Resolution | 5MP@25fps: 2880(H)×1620(V); 5MP@20fps: 2592(H)×1944(V); 5MP@12.5fps: 2592(H)×1944(V) 4MP: 2560(H)×1440(V) 1080P: 1920(H)×1080(V) |
| Frame rate | TVI: 5MP@20fps (default), 5MP@12.5fps, 4MP@30fps, 4MP@25fps, 1080P@30fps, 1080P@25fps AHD: 5MP@20fps, 4MP@30fps, 4MP@25fps, 1080P@30fps, 1080P@25fps CVI: 5MP@25fps, 4MP@30fps, 4MP@25fps, 1080P@30fps, 1080P@25fps CVBS: PAL, NTSC |
| Shutter time | PAL: 1/25s-1/50000s NTSC: 1/30s-1/50000s |
| Image | |
| Exposure mode | Four modes: Global (default), BLC, HLC, DWDR |
| Day/Night | 24/7 color images |
| Digital noise reduction | 2D |
| White balance | Two modes: Auto (default), Manual |
| WDR | DWDR |
| Flip | Supports 180° horizontal flip, 180° vertical flip |
| Audio | |
| Microphone | Built-in Mic |
| Camera audio | TVI: 5MP@20fps, 5MP@12.5fps, 4MP@30fps, 4MP@25fps, 1080P@30fps, 1080P@25fps CVI: 5MP@25fps, 4MP@30fps, 4MP@25fps |
| Interface | |
| Power | 5.5mm power interface |
| Video output | BNC, supports TVI/AHD/CVI/CVBS |
| Operating environment | |
| Temperature | -30°C to 60°C (-22°F to 140°F) |
| Humidity | ≤95% (RH, non-condensing) |
| Surge protection | 4kV |
| Ingress protection | IP67 |

| General | |
|---------------|---|
| Power | DC12V (±25%), with reverse polarity protection. Max 3.28W |
| Mount | Surface mount (default), optional junction box and wall mount bracket |
| Dimensions | Φ111mm*96mm (diameter*height) |
| Material | Metal and plastic |
| Weight | 356g (0.79lb) |
| Certification | CB, CE, FCC, UL |

Dimensions



HAC-T325-F28M-W

Accessories

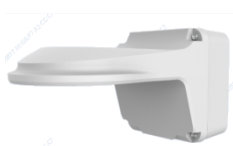
TR-JB03-G-IN

Junction Box



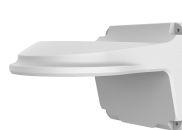
TR-JB07/WM03-G-IN

Wall Mount



TR-WM03-D-IN

Wall Mount



TR-A01-IN

Waterproof Joint



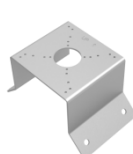
TR-UP06-IN

Pole Mount



TR-UC08-C

Corner Mount



TR-SE24-A-IN

Pendant Mount



TR-CM24-IN

Pendant Mount



TR-SE24-IN

Pendant Mount



PWR-DC1201A-UK

Wall Plug-in UK Power Adapter



PWR-DC1201A-US

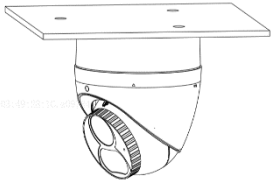
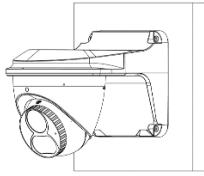
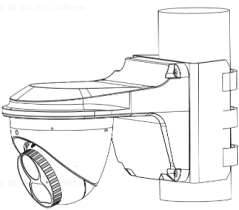
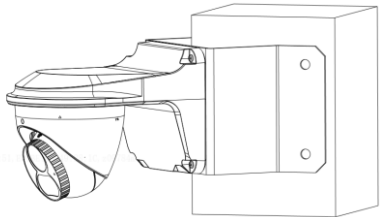
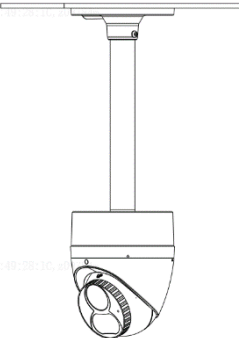
Wall Plug-in US Power Adapter



PWR-DC1201A-EU

Wall Plug-in EU Power Adapter



| Mount | |
|---|---|
| TR-JB03-G-IN  | TR-JB07/WM03-G-IN(TR-WM03-D-IN)  |
| TR-JB07/WM03-G-IN(TR-WM03-D-IN)+TR-UP06-IN  | TR-JB07/WM03-G-IN(TR-WM03-D-IN)+TR-UC08-C  |
| TR-CM24-IN+TR-JB03-G-IN  | |

Zhejiang Uniview Technologies Co., Ltd.

Building No. 369, Xietong Road, Xixing Sub-district, Binjiang District, Hangzhou City, Zhejiang Province, China (310051)

Email: overseasbusiness@uniview.com; globalsupport@uniview.com

<https://www.uniview.com>

©2023 Zhejiang Uniview Technologies Co., Ltd. All rights reserved.

*Product specifications and availability are subject to change without notice.