

2MP ColorHunter HD Fixed PT Analog Camera

UAC-P112-AF40-W



Introduction

UAC-P112-AF40-W is a 2MP ColorHunter HD fixed PT analog camera with a high-performance 1/2.9-inch CMOS sensor. It supports TVI/AHD/CVI/CVBS, which effectively enhances product adaptability and diversity of networking solutions. With SYV-75-3 or other coaxial cable types, the camera can achieve low-cost, long-distance, and anti-interference megapixel HD video transmission without time delay. It supports audio input, synchronous transmission of audio and video, and provides 24/7 color images. The pan&tilt design allows the camera to rotate horizontally and vertically to achieve a wide range of monitoring.

Features

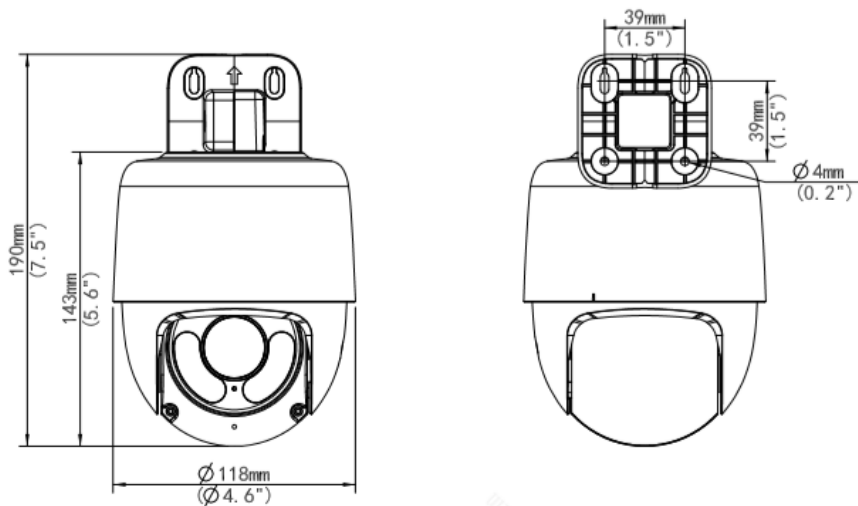
- 2MP high quality imaging
- TVI/AHD/CVI/CVBS
- Supports white light illumination, 24/7 color images
- Supports 180° horizontal flip, 180° vertical flip
- OSD configuration menu, easy to operate
- IP66 waterproof and dustproof design, high reliability
- OSD configuration menu in 11 languages
- Built-in microphone for high quality audio transmission via coaxial cables
- Supports 0 to 345° pan range, 0 to 90° tilt range
- Supports digital defog

Specifications

| Model | UAC-P112-AF40-W |
|-------------------------|--|
| Sensor | |
| Pixel | 2MP |
| Size | 1/2.9" |
| Minimum illumination | 0.005 lux (F1.6, AGC ON) 0 lux (white light on) |
| Lens | |
| Lens | 4.0mm |
| Lens mount | M12 |
| Angle of view | H: 83.8° V: 42.7° D: 100.1° |
| Illuminator | |
| Illuminator | Eight white-light illuminators |
| Illumination distance | 30m |
| Lifetime | ≥20,000 hours |
| Video | |
| Resolution | 1080P: 1920(H)×1080(V) 720P: 1280(H) ×720(V) |
| Frame rate | TVI/AHD/CVI: 1080P@25fps (default), 1080P@30fps; 720P@30fps, 720P@25fps CVBS: PAL, NTSC |
| Shutter time | PAL: 1/25s-1/50000s NTSC: 1/30s-1/50000s |
| Image | |
| Exposure mode | Four modes: Global (default), BLC, HLC, DWDR |
| Day/Night | 24/7 color images |
| Digital noise reduction | 2D/3D |
| White balance | Two modes: Auto (default), Manual |
| WDR | DWDR |
| Flip | Supports 180° horizontal flip, 180° vertical flip |
| Defog | Digital Defog |
| Pan & Tilt | |
| Pan range/speed | Pan range: 0° to 345° Pan speed: 1° to 40°/s |
| Tilt range/speed | Tilt range: 0° to 90° Tilt speed: 1° to 30°/s |
| Presets | 32 |
| Control mode | Coaxial control, RS485 control |
| Audio | |
| Microphone | Built-in Mic |
| Camera audio | TVI: 1080P@25fps, 1080P@30fps CVI: 1080P@25fps, 1080P@30fps |
| Interface | |
| Power | 5.5mm power interface |
| Video output | BNC, supports TVI/AHD/CVI/CVBS |

| | |
|-----------------------|---|
| RS485 | 1* RS485, supports 9600bps, 4800bps, 2400bps, 1200bps |
| Operating environment | |
| Temperature | -30°C to 60°C (-22°F to 140°F) |
| Humidity | ≤95% (RH, non-condensing) |
| Surge protection | 4kV for power and video output interfaces, 6kV for RS485 interface |
| Ingress protection | IP66 |
| General | |
| Power | DC 12V (±25%), with reverse polarity protection. Max 8.5W |
| Mount | Supplied bracket for wall or pendent mount; optional bracket and junction box (sold separately) for pole mount and corner mount |
| Dimensions | Φ118mm*190mm (diameter*height) |
| Material | Plastic |
| Weight | 477g (1.05lb) |
| Certification | CB, CE, FCC |

Dimensions



UAC-P112-AF40-W

Accessories

TR-JB05-A-IN

Junction Box



TR-UC08-C

Corner Mount

TR-UP06-B-IN

Pole Mount



PWR-DC1201A-UK

Wall Plug-in UK Power

TR-UP06-C-IN

Pole Mount



PWR-DC1201A-US

Wall Plug-in US Power

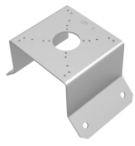
TR-A01-IN

Waterproof Joint



PWR-DC1201A-EU

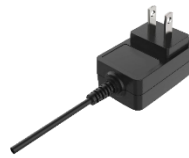
Wall Plug-in EU Power



Adapter



Adapter



Adapter



| Mount | |
|---|---|
| TR-UP06-B-IN | TR-JB05-A-IN+TR-UP06-C-IN |
| | <p>* If a junction box is used, the tail cable that leads directly from the sun shield will be exposed.</p> |
| TR-JB05-A-IN+TR-UC08-C | |
| <p>* If a junction box is used, the tail cable that leads directly from the sun shield will be exposed.</p> | |

Zhejiang Uniview Technologies Co., Ltd.

Building No. 369, Xietong Road, Xixing Sub-district, Binjiang District, Hangzhou City, Zhejiang Province, China (310051)

Email: overseasbusiness@uniview.com; globalsupport@uniview.com

<https://www.uniview.com>

©2023 Zhejiang Uniview Technologies Co., Ltd. All rights reserved.

*Product specifications and availability are subject to change without notice.